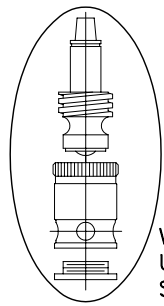
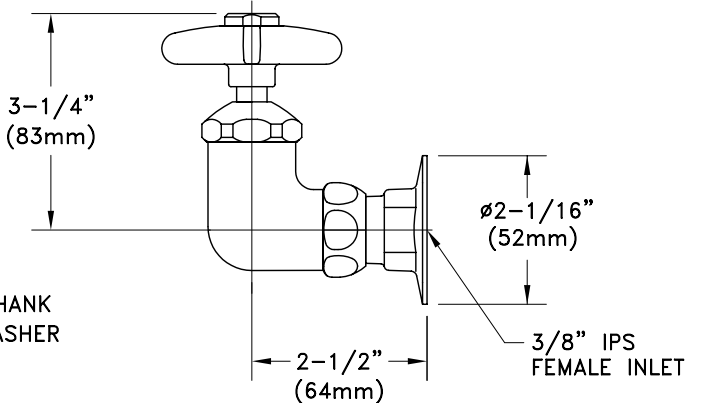
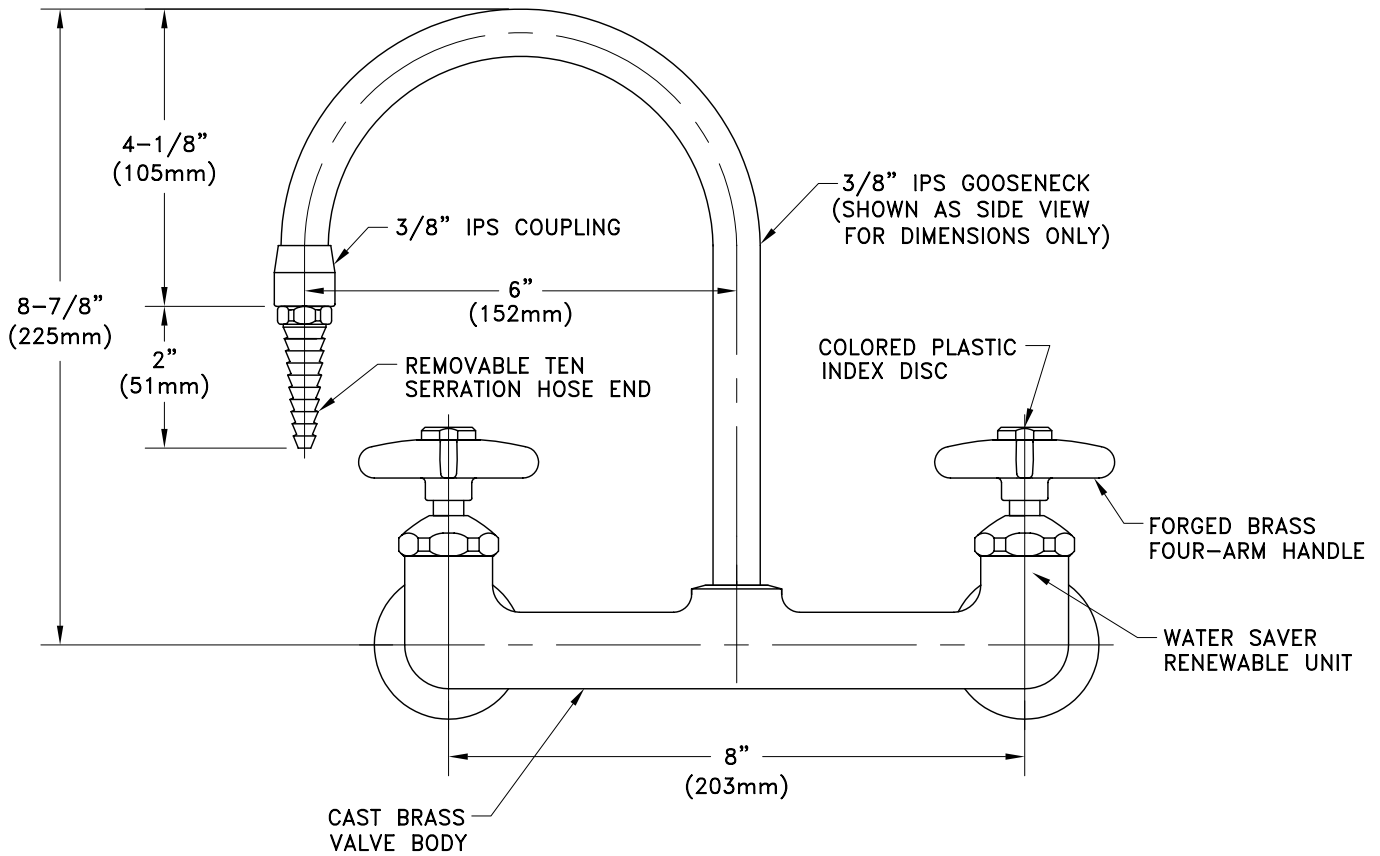


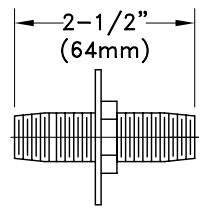
L511WS

PANEL MOUNTED LABORATORY MIXING FAUCET WITH 6" RIGID GOOSENECK AND MOUNTING SHANKS



WATER SAVER RENEWABLE UNIT WITH REPLACEABLE STAINLESS STEEL SEAT

3/8" IPS MOUNTING SHANK WITH LOCKNUT AND WASHER



NOTES:

1. CSA CERTIFIED UNDER CAN/CSA B125.M89. COMPLIES WITH ANSI/ASME A112.18.1M.
2. IF 1/2" IPS INLETS ARE REQUIRED, ADD SUFFIX "-1/2".

MEASUREMENTS MAY VARY ±1/4".