

### ○ **SS902** Safety Station with Eyewash, Stainless Steel Bowl

**APPLICATION:** Combination eyewash and shower safety station. Two GS-Plus™ spray-type outlet heads deliver a flood of water for rinsing eyes.

**SHOWER HEAD:** 10" diameter orange ABS plastic.

**SHOWER VALVE:** 1" IPS chrome plated brass stay-open ball valve. Valve is US-made with chrome plated brass ball and Teflon® seals. Furnished with stainless steel actuating arm and 20" stainless steel pull rod.

**SPRAY HEAD ASSEMBLY:** Two GS-Plus™ spray heads. Each head has a "flip top" dust cover, internal flow control and filter to remove impurities from water.

**EYEWASH BOWL:** 11 1/2" stainless steel.

**EYEWASH VALVE:** 1/2" IPS chrome plated brass stay-open ball valve. Valve is US-made with chrome plated brass ball and Teflon® seals.

**PIPE AND FITTINGS:** Schedule 40 galvanized steel. Furnished with orange polyethylene covers for vertical piping for high visibility and corrosion resistance.

**SUPPLY:** 1 1/4" NPT female top or side inlet.

**WASTE:** 1 1/4" NPT female outlet. Outlet can be positioned at either 8" or 20" above finished floor by reversing lower pipe nipples.

**SIGN:** Furnished with ANSI-compliant identification sign.

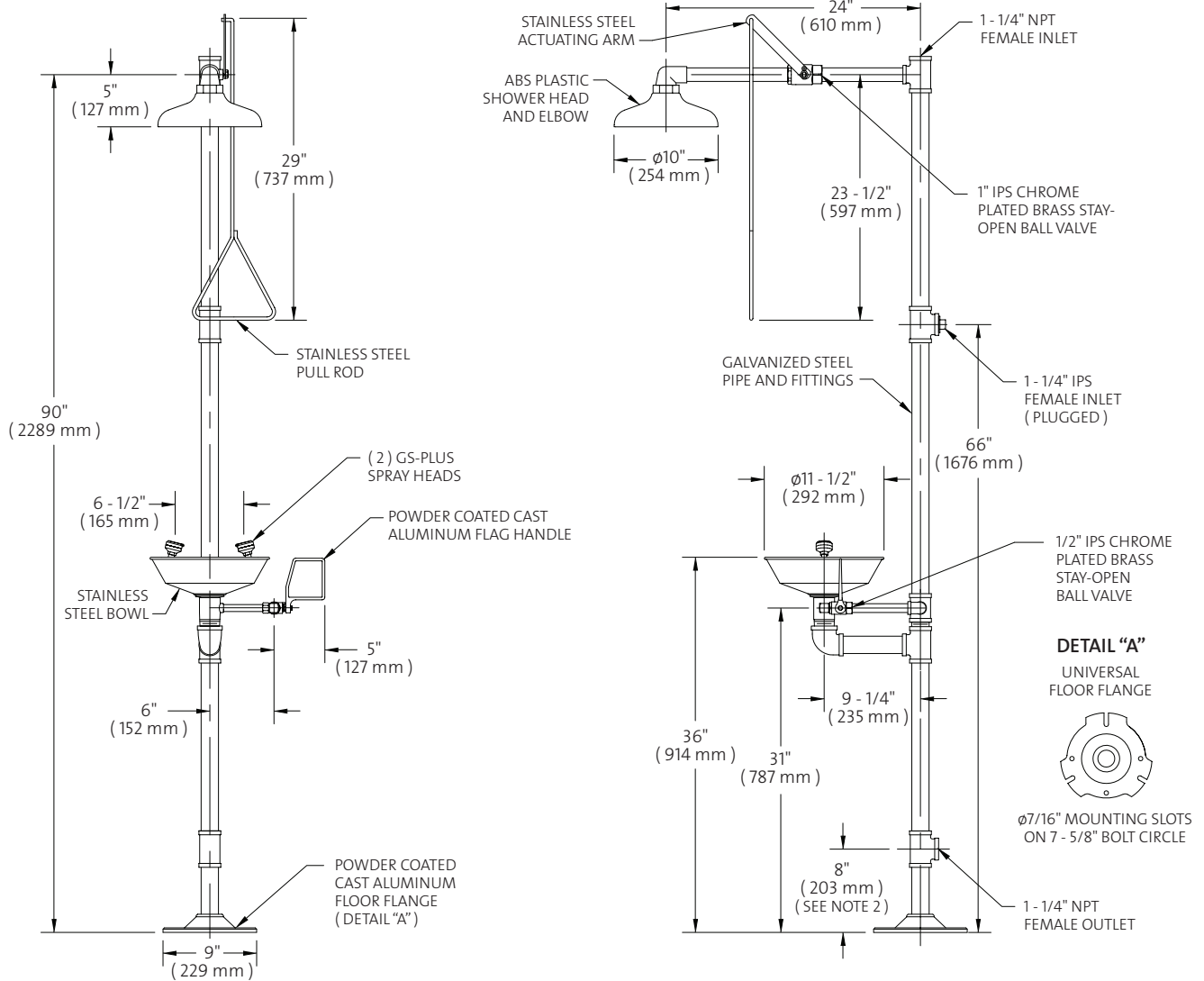
**QUALITY ASSURANCE:** Valve and spray head assemblies are factory assembled and water tested prior to shipment.

### Available Options

- **GC** Powder coated finish on galvanized pipe and fittings. Available colors include orange, yellow, red and green.
- **FC20** Regulates shower flow rate to 20 GPM.
- **GRN** Green ABS plastic shower head.
- **YEL** Yellow ABS plastic shower head.
- **SSH** Stainless steel shower head.
- **AP275-100 ELECTRIC LIGHT AND ALARM HORN**  
Light and alarm horn summon assistance when eyewash or shower is activated.
- **AP250-015 MODESTY CURTAIN**  
Modesty curtain for mounting on safety station.
- **TMV** AP3800 thermostatic mixing valve precisely blends hot and cold water to deliver warm (tepid) water as required by ANSI Z358.1-2004.



### SS902 Safety Station with Eyewash, Stainless Steel Bowl



**NOTES:**

1. EACH GS-PLUS SPRAY HEAD HAS A "FLIP-TOP" DUST COVER, INTERNAL FLOW CONTROL AND FILTER TO REMOVE IMPURITIES FROM THE WATER FLOW.
2. OUTLET TEE CAN BE POSITIONED AT EITHER 8" OR 20" A.F.F. BY REVERSING PIPE NIPPLES ABOVE AND BELOW LOWER TEE.

THIS SPACE FOR ARCHITECT/ENGINEER APPROVAL

Due to continuing product improvement, the information contained in this document is subject to change without notice. All dimensions are ± 1/4" (6mm). rev. 0308

**Sign Included**

