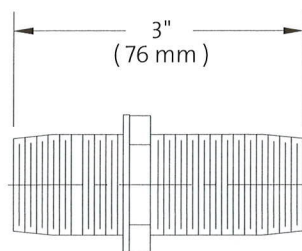
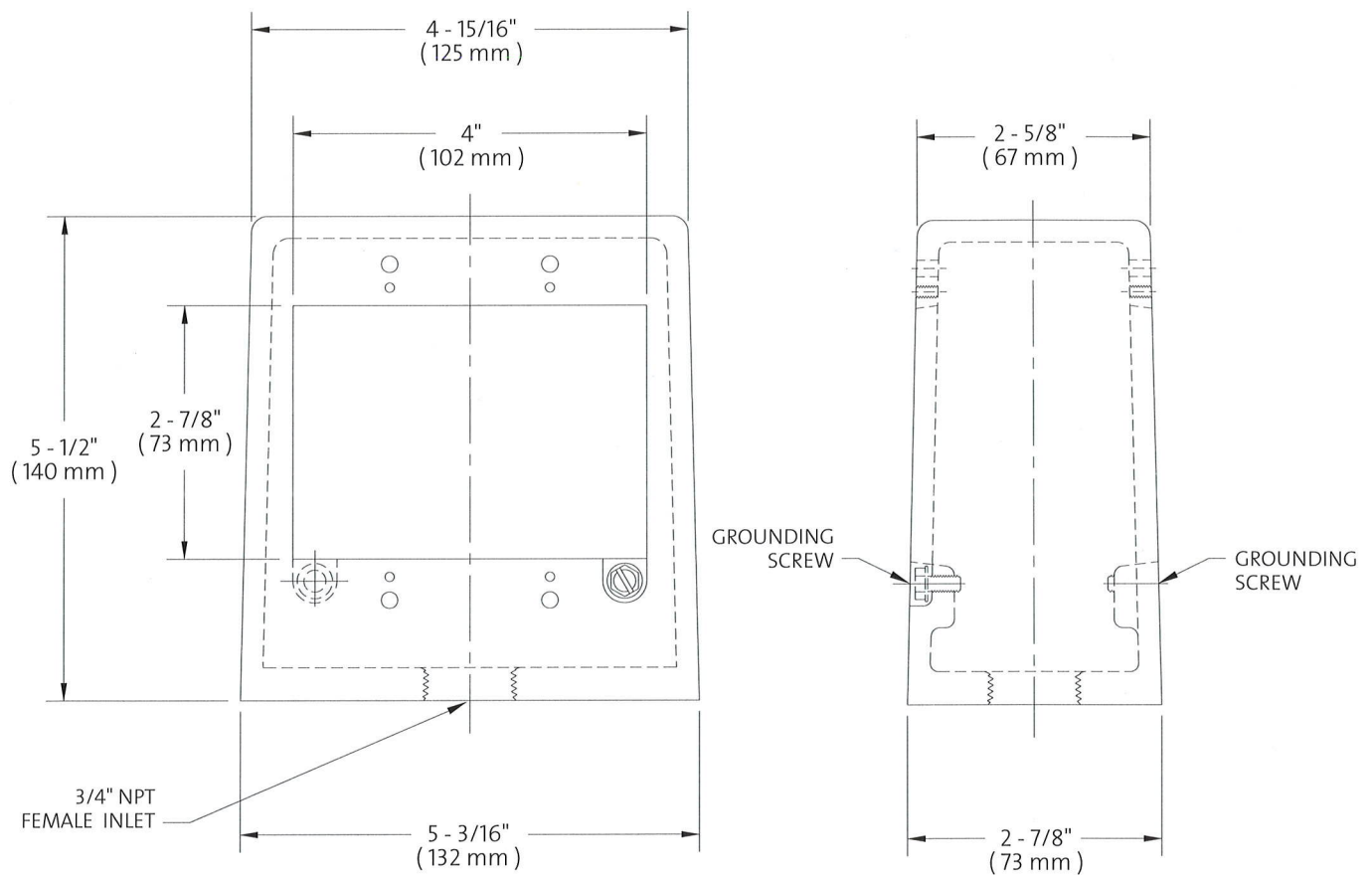


- **E600WS** Electric Pedestal Box, Double Gang, Double Face, Wrinkle Black Powder Coated Finish
- **E600SA-WS** Same as Above Except with Satin Aluminum Finish
- **E600PB-WS** Same as Above Except with Polished Aluminum Finish



3/4" IPS MOUNTING SHANK
WITH LOCKNUT

NOTES:

1. ELECTRIC PEDESTAL AND OUTLET BOXES ARE UL-LISTED UNDER STANDARD UL514A.
2. ELECTRIC PEDESTAL BOXES ARE FURNISHED COMPLETE WITH GROUNDING SCREWS, MOUNTING SHANK AND LOCKNUT.

Measurements may vary $\pm 1/4$ ".